
EASY SOUND[®] **eST Series**

**Tiny Controller-Based
Speech Synthesizer**

Product Specification

DOC. VERSION 1.2

ELAN MICROELECTRONICS CORP.


December 2005



Trademark Acknowledgments:

IBM is a registered trademark and PS/2 is a trademark of IBM.

Windows is a trademark of Microsoft Corporation.

ELAN and ELAN logo  are trademarks of ELAN Microelectronics Corporation.

Copyright © 2004~2005 by **ELAN Microelectronics Corporation**

All Rights Reserved

Printed in Taiwan

The contents of this specification are subject to change without further notice. ELAN Microelectronics assumes no responsibility concerning the accuracy, adequacy, or completeness of this specification. ELAN Microelectronics makes no commitment to update, or to keep current the information and material contained in this specification. Such information and material may change to conform to each confirmed order.

In no event shall ELAN Microelectronics be made responsible for any claims attributed to errors, omissions, or other inaccuracies in the information or material contained in this specification. ELAN Microelectronics shall not be liable for direct, indirect, special incidental, or consequential damages arising from the use of such information or material.

The software (if any) described in this specification is furnished under a license or nondisclosure agreement, and may be used or copied only in accordance with the terms of such agreement.

ELAN Microelectronics products are not intended for use in life support appliances, devices, or systems. Use of ELAN Microelectronics product in such applications is not supported and is prohibited.

NO PART OF THIS SPECIFICATION MAY BE REPRODUCED OR TRANSMITTED IN ANY FORM OR BY ANY MEANS WITHOUT THE EXPRESSED WRITTEN PERMISSION OF ELAN MICROELECTRONICS.



ELAN MICROELECTRONICS CORPORATION

Headquarters:

No. 12, Innovation Road 1
Hsinchu Science Park
Hsinchu, Taiwan 30077
Tel: +886 3 563-9977
Fax: +886 3 563-9966
<http://www.emc.com.tw>

Hong Kong:

**Elan (HK) Microelectronics
Corporation, Ltd.**
Rm. 1005B, 10/F Empire Centre
68 Mody Road, Tsimshatsui
Kowloon, HONG KONG
Tel: +852 2723-3376
Fax: +852 2723-7780
elanhk@emc.com.hk

USA :

**Elan Information Technology
Group (U.S.A.)**
1821 Saratoga Ave., Suite 250
Saratoga, CA 95070
USA
Tel :+1 408 366-8225
Fax: +1 408 366-8220

Europe :

**Elan Microelectronics Corp.
(Europe)**
Siewerdtstrasse 105
8050 Zurich, SWITZERLAND
Tel: +41 43 299-4060
Fax: +41 43 299-4079
<http://www.elan-europe.com>

Shenzhen:

**Elan Microelectronics
Shenzhen, Ltd.**
SSMEC Bldg., 3F, Gaoxin S. Ave.
Shenzhen Hi-Tech Industrial Park
Shenzhen, Guandong, CHINA
Tel: +86 755 2601-0565
Fax: +86 755 2601-0500

Shanghai:

**Elan Microelectronics
Shanghai, Ltd.**
23/Bldg. #115 Lane 572, Bibo Road
Zhangjiang Hi-Tech Park
Shanghai, CHINA
Tel: +86 21 5080-3866
Fax: +86 21 5080-4600



Contents

1	General Description	1
2	Features	1
3	Pin Assignment (eSTM060 only)	2
4	Pin Descriptions	3
5	Absolute Maximum Ratings.....	4
6	Electrical Characteristics.....	4
7	Application Circuit.....	5



Specification Revision History

Doc. Version	Revision Description	Date
1.0	Initial version	2004/01/13
1.1	Add eSTM060 and eSTQ060 MTP/QTP chips	2005/03/28
1.2	Change eSTM060 package type from PDIP to QFP	2005/12/30



1 General Description

The eST Series is a 3 to 340 seconds single chip high quality voice synthesizer IC which contains one 4-bit Input port (available with eST005 and above); two or three 4-bit I/O ports; and a tiny controller. eST Series provides strong features and uses improved algorithm to achieve pure speech. By programming through the tiny controller, user's applications, such as section combination, trigger mode, control outputs, keyboard matrix, and other logic functions, can be easily implemented.

2 Features

- Single Power Supply
- Crystal/Ring oscillator option
- 3 ~ 340 seconds voice capacity
- Power down mode for power saving
- Reset pin available
- Single ROM for voice program. 32K maximum program address size
- Readable ROM data
- One 6 bit timer overflow control is provided
- Two stacks for subroutine call
- 5 bits ASPCM + synthesis
- 38KHz modulation for IR transmission
- 15 steps volume control
- Direct Drive/traditional DAC
- 8 bits resolution D/A
- GREEN Voice™

IC Type Category	eST003	eST004	eST005	eST010	eST015	eST020	eST030	eST040	eST060
Duration (@ 6K sample rate)	3 sec		5 sec	10 sec	15 sec	21 sec	31 sec	42 sec	63 sec
ROM (bits)	10Kx10		16Kx10	32Kx10	48Kx10	64Kx10	96Kx10	128Kx10	192Kx10
PROG. ROM (bits)	8Kx10			32Kx10					
RAM (bits)	32x4		64x4	128x4					
I/O Ports	4 I/O	8 I/O	4 Inputs + 8 I/O						
D/A	Tradition DAC	Direct Drive		Direct Drive / Traditional DAC					
OSC	Ring Type			Ring or Resonator type (optional)					
RESET Pin	No			Yes					

IC Type Category	eST061	eST081	eST120	eST121	eST171	eST251	eST341	eSTM060(MTP) ¹	eSTQ060(QTP) ¹
Duration (@ 6K sample rate)	63 sec	85 sec	127 sec		170 sec	255 sec	340 sec	63 sec	
ROM (bits)	192Kx10	256Kx10	384Kx10		512Kx10	768Kx10	10248Kx1	192Kx10	
PROG. ROM (bits)	32x10								
RAM (bits)	128x4								
I/O Ports	4 Inputs + 12 I/O		4 Inputs + 8 I/O		4 Inputs + 12 I/O				
D/A	Direct Drive / Traditional DAC								
OSC	Ring or Resonator type (optional)								
RESET Pin	Yes								

¹ eSTM060 & eSTQ060 are flexible MTP and QTP IC's respectively which can be programmed to clone any of its smaller sister IC's, i.e., eST003 ~ eST061.

These chips are packaged as follows:

- COB type – **eSTM060**
- Dice type – **eSTM060H, eSTQ060H**
- PDIP type – **eSTM060P***
- QFP type – **eSTM060AQ**

**PDIP-40 Type eSTM060P is no longer supported starting from January 2006.*

3 Pin Assignment (eSTM060 only)

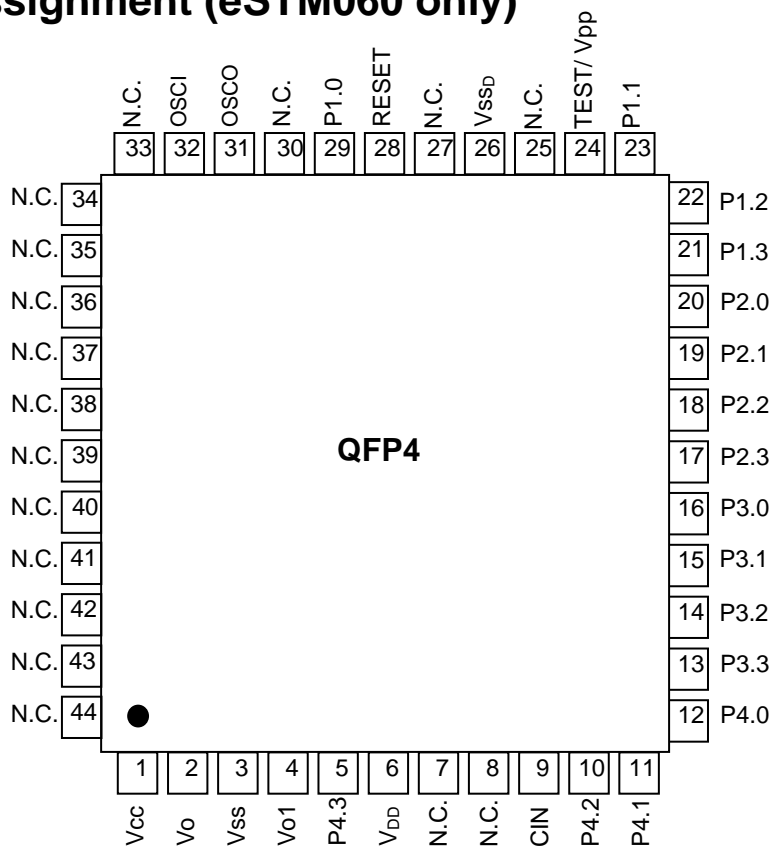


Figure 3-1 eSTM060 QFP44 Pin Assignment

4 Pin Descriptions

Symbol	I/O	Function
P1.0	I	Bit 0 of Port 1 (not applicable to eST003 & eST004)
P1.1	I	Bit 1 of Port 1 (not applicable to eST003 & eST004)
P1.2	I	Bit 2 of Port 1 (not applicable to eST003 & eST004)
P1.3	I	Bit 3 of Port 1 (not applicable to eST003 & eST004)
P2.0 P2.0/PD0*	I/O	Bit 0 of Port 2 Bit 0 of Port 2 / Program data pin for parallel data Bits 0 & 4*
P2.1 P2.1/PD1*	I/O	Bit 1 of Port 2 Bit 1 of Port 2 / Program data pin for parallel data Bits 1 & 5*
P2.2 P2.2/PD2*	I/O	Bit 2 of Port 2 (not applicable to eST003) Bit 2 of Port 2 / Program data pin for parallel data Bits 2 & 6*
P2.3 P2.3/PD3*	I/O	Bit 3 of Port 2 (not applicable to eST003) Bit 3 of Port 2 / Program data pin for parallel data Bits 3 & 7*
P3.0 P3.0/RDYB*	I/O	Bit 0 of Port 3 (not applicable to eST003) Bit 0 of Port 3 / Program Ready signal*
P3.1 P3.1/WEB*	I/O	Bit 1 of Port 3 (not applicable to eST003) Bit 1 of Port 3 / Programming write enable*
P3.2 P3.2/OEB*	I/O	Bit 2 of Port 3 (the pin can generate 38KHz square wave) Bit 2 of Port 3 / Programming output enable*
P3.3 P3.3/ACLK*	I/O	Bit 3 of Port 3 (pin can be treated as LED output) Bit 3 of Port 3 / Programming address increase*
P4.0	I/O	Bit 0 of Port 4 (not applicable to eST003 ~ eST040 , eST060 , & eST120)
P4.1	I/O	Bit 1 of Port 4 (not applicable to eST003 ~ eST040 , eST060 , & eST120)
P4.2	I/O	Bit 2 of Port 4 (not applicable to eST003 ~ eST040 , eST060 , & eST120)
P4.3	I/O	Bit 3 of Port 4 (not applicable to eST003 ~ eST040 , eST060 , & eST120)
VDD	I	Positive digital power supply
OSCI OSCI/CLK*	I	Ring oscillator input pin Ring oscillator input pin / Program clock*
RESET	I	Reset Pin (not applicable to eST003 , eST004 , & eST005)
OSCO	I	Crystal Output Pin (not applicable to eST003 , eST004 , & eST005)
TEST TEST/VPP(MTP power)*	I	Use for testing only (not applicable to eST003 & eST004) Test / Programming power source*
VSSD	I	Negative digital power supply.
VCC	I	Positive analog power supply (not applicable to eST003)
VSSC	I	Negative analog power supply (not applicable to eST003)
Cin*		Regulator capacitor*
VO	O	Traditional DAC Output / Direct Drive Green Voice Output
VO1	O	Direct Drive Green Output (not applicable to eST003)

* Applicable to **eSTM060** & **eSTQ060** only. Note that a 0.1 μ F ceramic capacitor should be added between Cin and ground.

5 Absolute Maximum Ratings

Items	Symbol	Min	Max	Unit
Supply Voltage	$V_{DD}-V_{SS}$	-0.3	+6.0	V
Input Voltage	V_{IN}	$V_{SS}-0.3$	$V_{DD}+0.3$	V
Operating Temperature	T_{OP}	-20.0	+70.0	$^{\circ}C$
Storage Temperature	T_{STG}	-55.0	+125.0	$^{\circ}C$

6 Electrical Characteristics

(25°C, Vdd=3.0 Volts unless otherwise specified)

Items	Sym	Min.	Typ.	Max.	Unit	Condition
Operating Voltage	VDD	2.2	3.0	5.5	V	-
Standby Current	IDDS	-	-	2.0	uA	VDD=3V
Operating Current	IDDO	-	250	350	uA	VDD=3V, no load, Constant current D/A stopped
			2	4	mA	VDD=3V, no load, Push-pull current D/A running
P2, P3, P4 Drive Current	IOD	2.0	3.0	-	mA	VDD=3V, VO=2.4V
P2 Sink Current (before KEY B)	IOS	-	3.0	10.0	uA	VDD=3V VO=3V
P2 Sink Current (after KEY B)	IOS	2.3	3.5	-	mA	VDD=3V VO=0.4V
P3, P4 Sink Current	IOS	2.3	3.5	-	mA	VDD=3V, VO=0.4V
P1 Input Current	IIH	-	3.0	10.0	uA	VDD=3V
VO Output Current	IVO	4.0	5.2	6.4	mA	VDD=3V, Vo=0.7V
			5.3	6.7	mA	VDD=4.5V, Vo=0.7V
VO, VO1 Output Current	IVO	150	180	-	mA	VDD=3V, Vo=1/2 VDD
Oscillation Resistor	R	-	470	-	K Ω	VDD=3V (for eST003 ~ eST005 only)
			100	-	K Ω	VDD=3V (for eST010 ~ eST341 only)
Oscillation Freq.	FOSC	1.08	1.2	1.32	MHz	VDD=2.2 ~ 5.5V

7 Application Circuit

Important notes for the following application circuits:

- For noisy power supply application, suppress noise by adding a 0.1 μ F ceramic capacitor between–
 - Ground and power VCC & IC's VCC pad
 - Ground and power VCC & IC's VDD pad
- For heavy loading application, it is recommended that an electrolytic capacitor is added between VCC and ground. The recommended capacitor value for button cell applications is 10 μ F.
- The recommended value of the bypass resistor for button cell application is 750 Ω or less (see eST003 application circuit below for example).
- The use of spring direct trigger is not recommended. If you must use such trigger, you need to add a ceramic capacitor between trigger pin and ground to debounce the spring noise. The recommended capacitor value is 0.001 ~ 0.01 μ F.

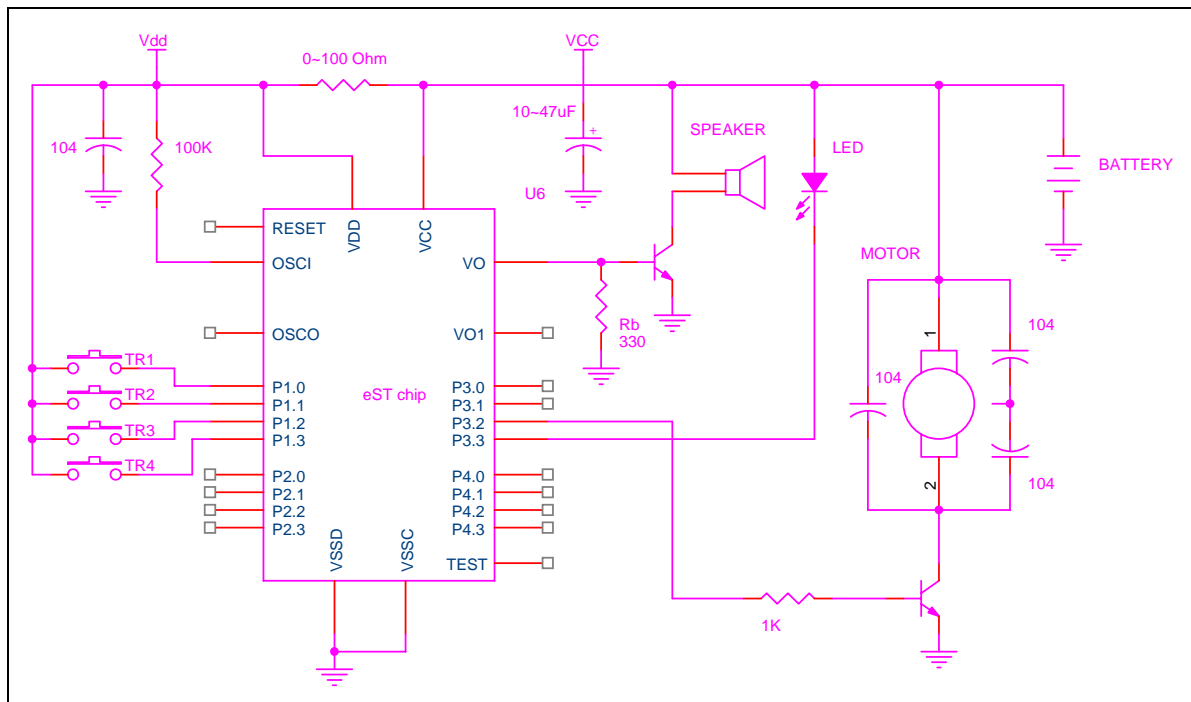


Figure 7-1 eST Series Chips Universal Application Circuit

